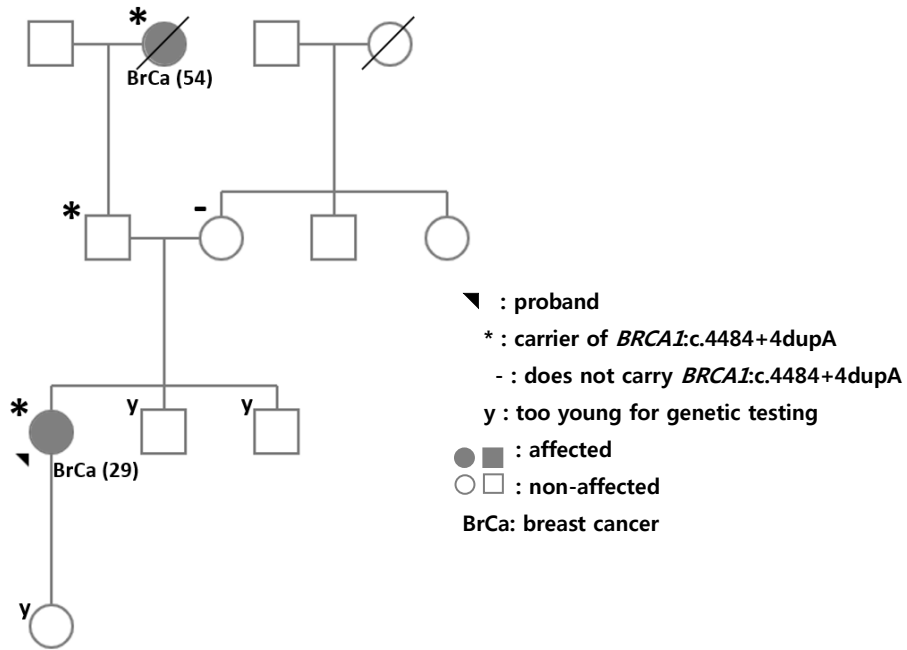
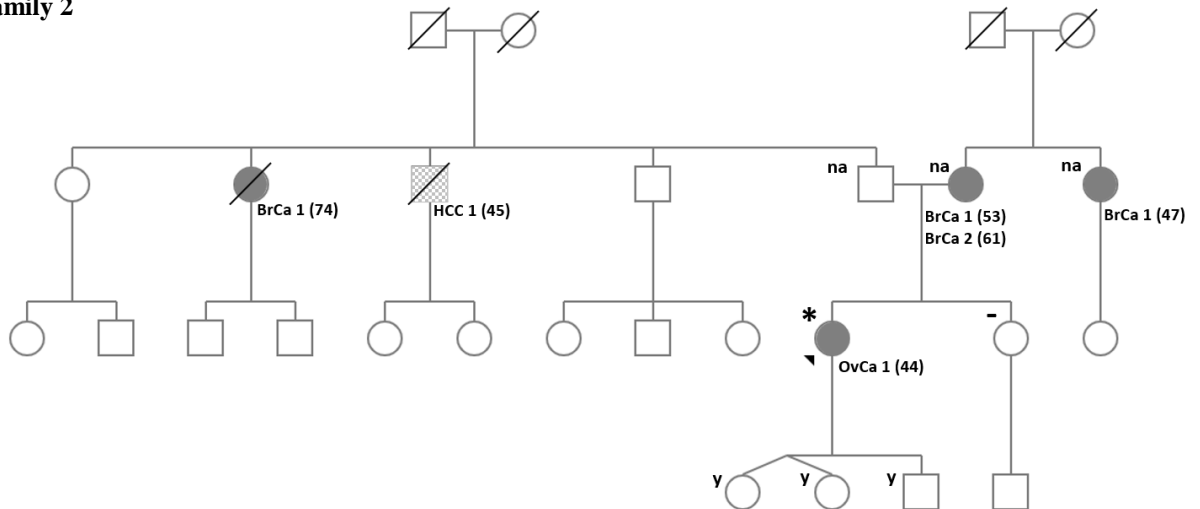


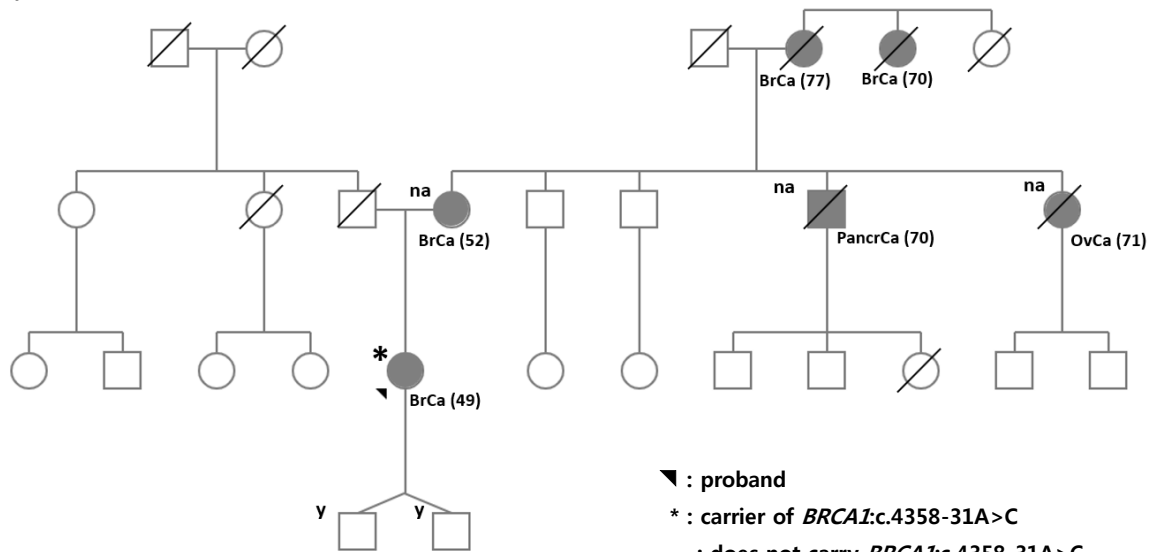
**Family 1**



**Family 2**

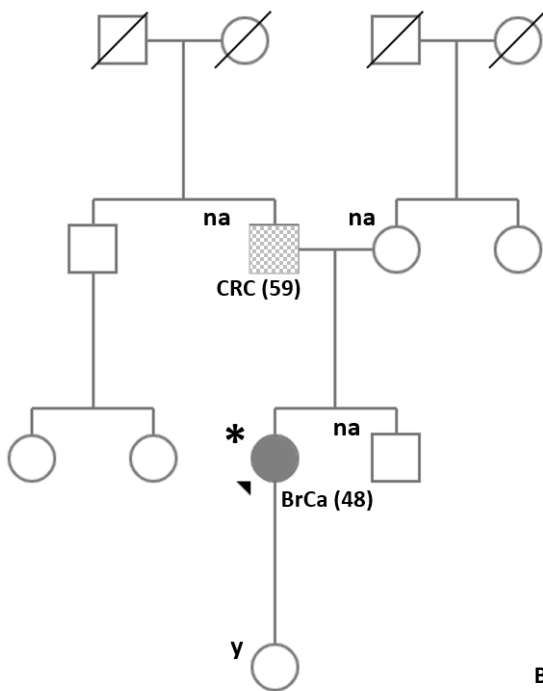


**Family 3**



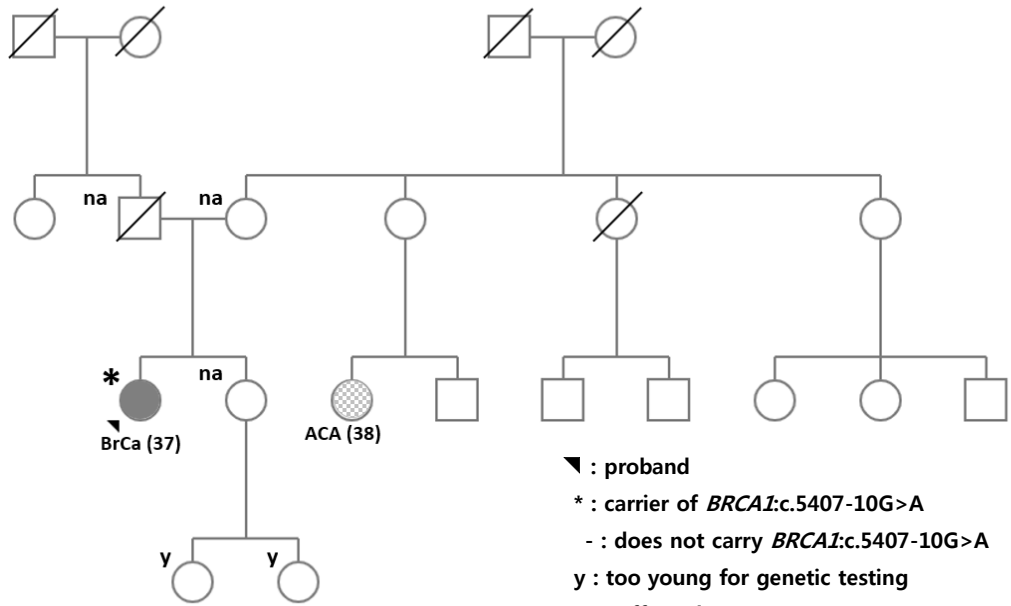
▼ : proband  
 \* : carrier of *BRCA1:c.4358-31A>C*  
 - : does not carry *BRCA1:c.4358-31A>C*  
 y : too young for genetic testing  
 ● ■ : affected  
 ○ □ : non-affected  
 na : not available for genetic testing  
 BrCa : breast cancer  
 OvCa : ovarian cancer  
 PancrCa : pancreatic cancer

**Family 4**



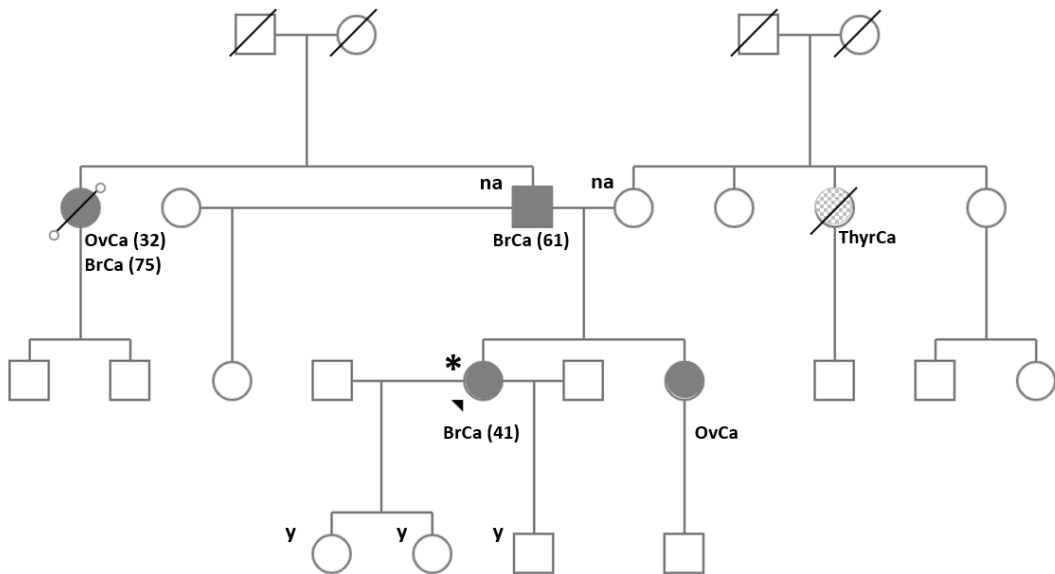
▼ : proband  
 \* : carrier of *BRCA1:c.5407-10G>A*  
 - : does not carry *BRCA1:c.5407-10G>A*  
 y : too young for genetic testing  
 ● ■ : affected  
 ○ □ : non-affected  
 ● ■ : cancer type not related to HBOC sy; CRC: colorectal cancer  
 na : not available for genetic testing  
 BrCa : breast cancer

**Family 5**



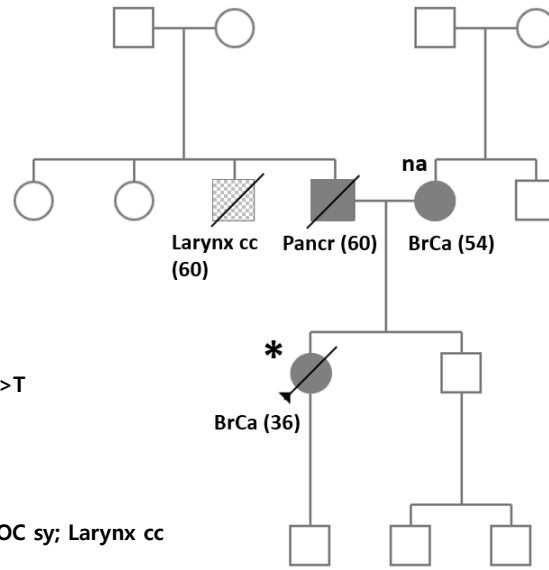
● : affected  
 ○ : non-affected  
 ◐ : cancer type not related to HBOC sy; ACA: adrenocortical adenoma  
 na : not available for genetic testing  
 BrCa : breast cancer

**Family 6**



▼ : proband  
 \* : carrier of *BRCA2:c.8487G>T*  
 - : does not carry *BRCA2:c.8487G>T*  
 y : too young for genetic testing  
 ● : affected  
 ○ : non-affected  
 ◐ : cancer type not related to HBOC sy; ThyrCa: thyroid cc  
 na : not available for genetic testing  
 BrCa : breast cancer  
 OvCa : ovarian cancer

### Family 7



▼ : proband

\* : carrier of *BRCA2:c.8487G>T*

- : does not carry *BRCA2:c.8487G>T*

y : too young for genetic testing

● ■ : affected

○ □ : non-affected

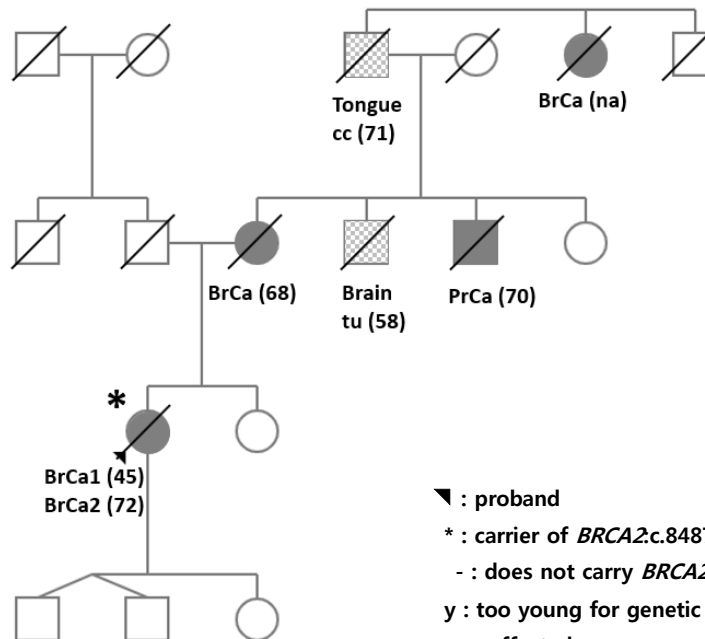
⊙ ⊠ : cancer type not related to HBOC sy; Larynx cc

na : not available for genetic testing

BrCa : breast cancer

Pancr: pancreatic cancer

### Family 8



▼ : proband

\* : carrier of *BRCA2:c.8487G>T*

- : does not carry *BRCA2:c.8487G>T*

y : too young for genetic testing

● ■ : affected

○ □ : non-affected

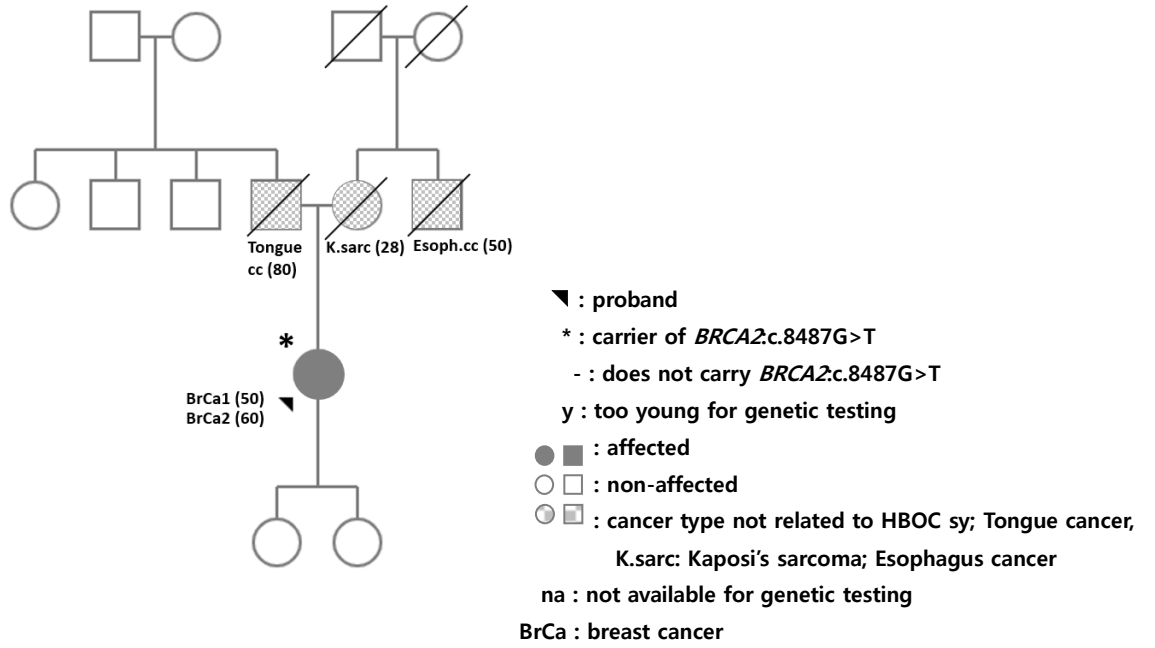
⊙ ⊠ : cancer type not related to HBOC sy; Brain tumor,  
Tongue cancer

na : not available for genetic testing

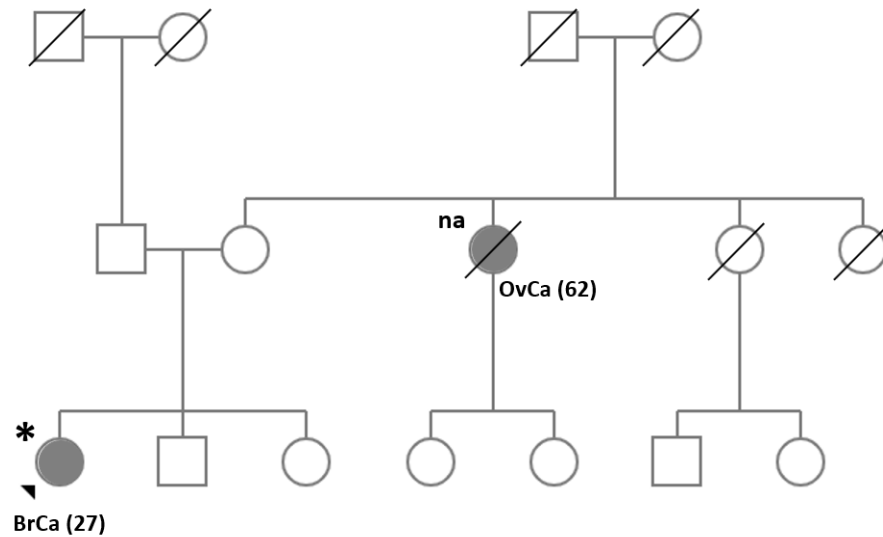
BrCa : breast cancer

PrCa : prostate cancer

**Family 9**



**Family 10**



**S1 Fig.** Pedigrees of the 10 families, where a variant selected for transcript-level testing was detected in the proband.